

# perfect fit<sup>®</sup>

## CUSTOM SHEETING

- Ideal Sheet Size
- Less Waste Generated
- Reduce Paper Cost
- On average 1" = 3% savings

### GRADES

#### PREMIUM QUALITY:

- SBS
- BCTMP

#### STRENGTH:

- CUK

#### ECONOMY:

- CCLB / CCNB
- URB

### MINIMUMS

**1 SHEET**

### PRODUCTION LEAD TIMES

**3-7 DAYS**

#### **CONTACT**

[convertingorders@wcp solutions.com](mailto:convertingorders@wcp solutions.com)

- or -

Your Account Manager

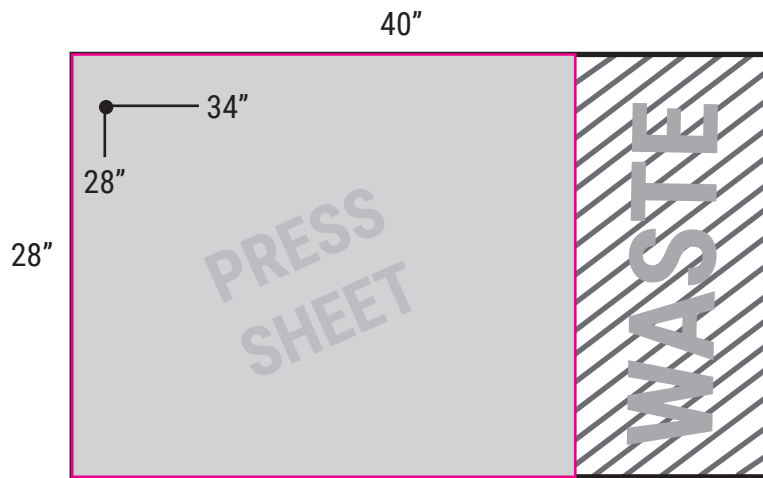


## GLOSSARY OF TERMS & BRANDS

## DEFINITIONS

	GLOSSARY OF TERMS & BRANDS	DEFINITIONS
PREMIUM	<b>SBS – Solid Bleached Sulfite</b> <ul style="list-style-type: none"> <li>o Candesce C1S</li> <li>o Ancora C2S</li> </ul>	Coated One Side Coated Two Side
	<b>BCTMP – Bleached Chemi-ThermoMechanical Pulp</b> <ul style="list-style-type: none"> <li>o Pro FBB Bright/Carta Solida</li> <li>o Prime FBB Bright/Carta Integra</li> </ul>	Coated One Side High Yield Double Coat Front/Matte Back High Yield
STRENGTH	<b>CUK – Coated Unbleached Kraft</b> <ul style="list-style-type: none"> <li>o Pearl-Kote (SUS - Solid Unbleached Sulfite)</li> <li>o Aqua-Kote (SUS Wet Strength)</li> </ul>	Coated One Side High Strength Coated One Side Wet Strength
	<b>CCLB – Clay Coated Light Back</b> <ul style="list-style-type: none"> <li>o Titan Board</li> </ul>	Coated One Side Economy
ECONOMY	<b>CCNB – Clay Coated News Back</b> <ul style="list-style-type: none"> <li>o Titan Board</li> </ul>	Coated One Side Economy
	<b>URB – Uncoated Recycled Board</b> <ul style="list-style-type: none"> <li>o Kraft Chip (Litho Treated)</li> </ul>	Uncoated Kraft Economy

## MINIMIZE WASTE / MAXIMIZE YIELD



$$28'' \times 40'' = 1,120 \text{ in}^2$$

$$28'' \times 34'' = 952 \text{ in}^2$$

**15% yield savings = 15% potential \$ savings**